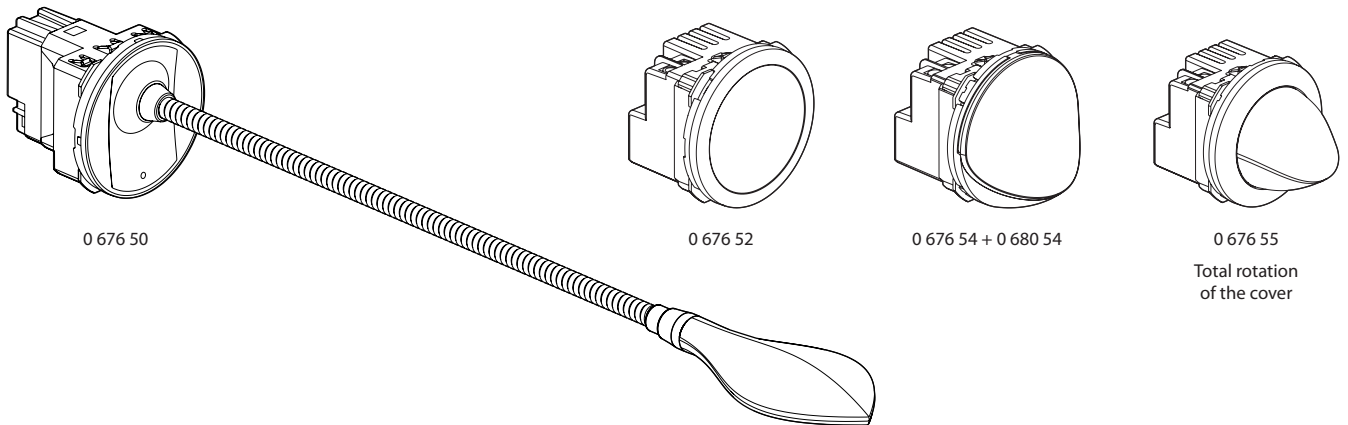


Céliane™
LED lighting

Cat. No(s): 0 676 50/52/54/55



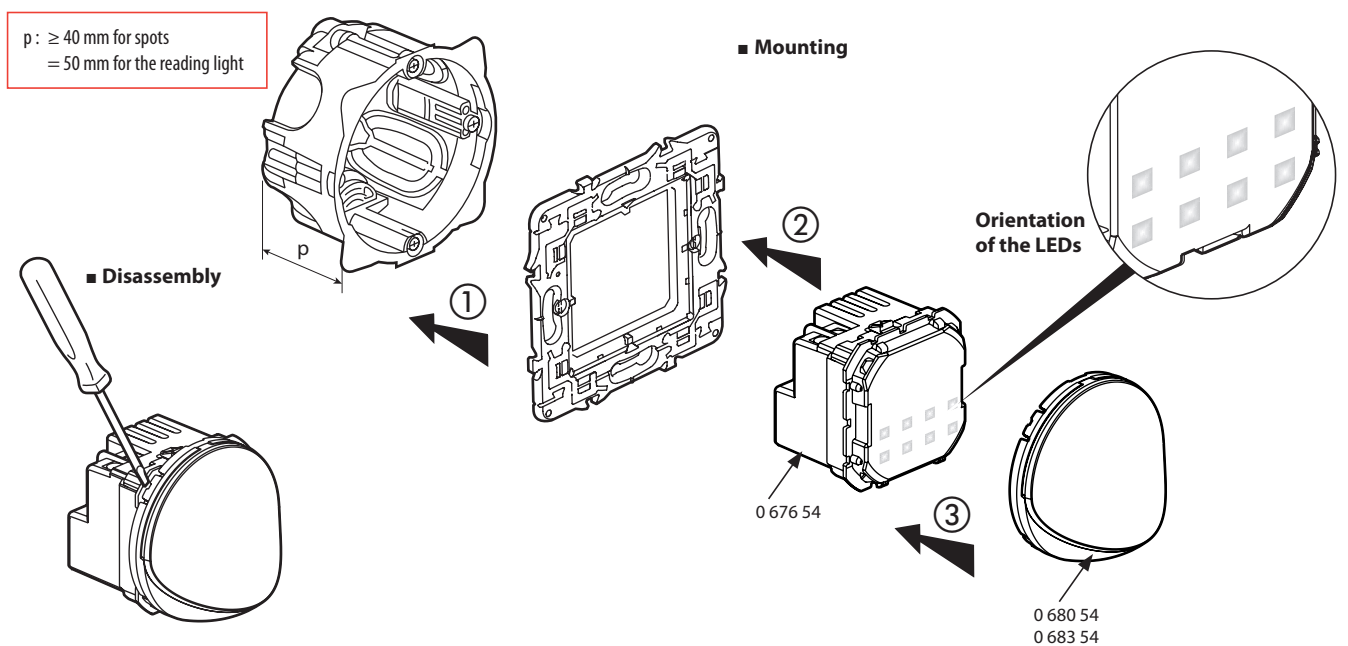
1. USE

For specific directionnal lighting in harmony with Céliane wiring devices range.

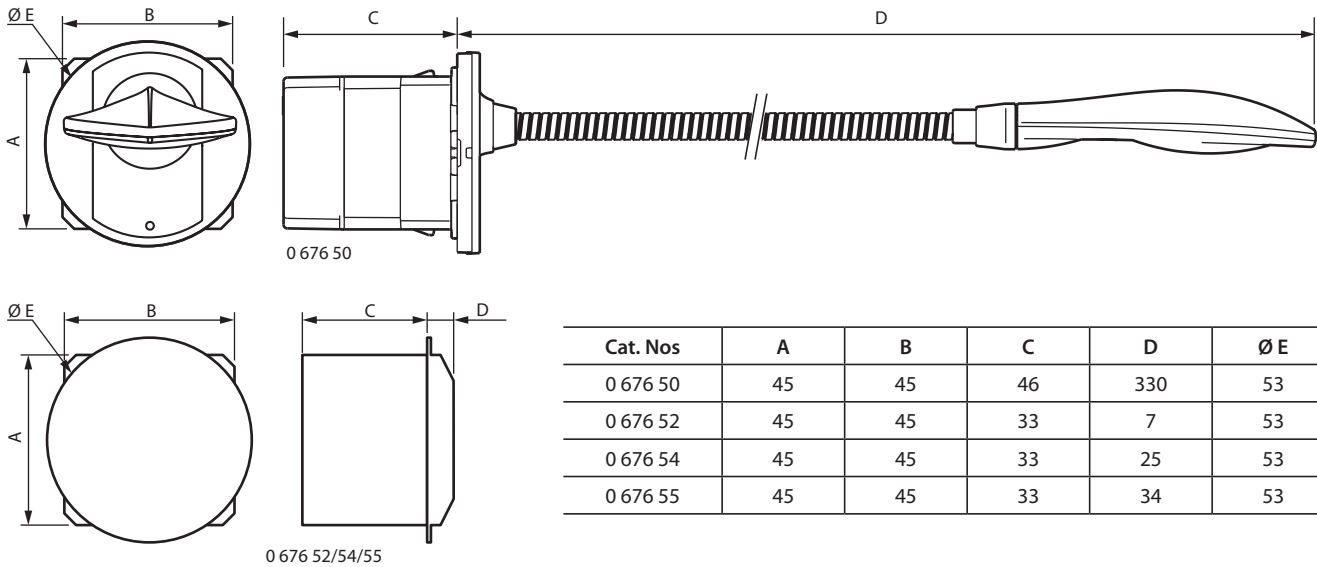
2. RANGE

References	Description	General characteristics	Current	Life
0 676 50	Céliane reading light chrome mat: ideal for precise lighting headbed.	Luminous flux: 110 lm power input 3.3 W Color temperature: 3,000 K, neutral white	23 mA	40 000 hours
0 676 52	Céliane marker light: illuminates a circulation zone.	Luminous flux: 90 lm power input 2.4 W Color temperature: 3,000 K, neutral white	70 mA	50 000 hours
0 676 54 0 680 54 0 683 54	Céliane stair light + covers: lights and decorates a staircase.	Luminous flux: 70 lm with cover Power input: 2.2 W Color temperature: 3,000 K, neutral white	70 mA	50 000 hours
0 676 55	Céliane directional light: illuminates a worktop.	Luminous flux: 70 lm power input 2.8 W Color temperature: 3,000 K, neutral white	70 mA	50 000 hours

3. PREPARATION



4. OVERALL DIMENSIONS (mm)



5. CONNECTION

Terminal capacity (spot light): 2 x 1.5 mm² or 2 x 2.5 mm²
 Terminal capacity (reading light): 1 x 1.5 mm² or 1 x 2.5 mm²
 Connection type: with screws
 Screwdriver: Flat 3 mm
 Stripping length: 8 mm
 Tightening torque: 0.5 Nm

6. TECHNICAL CHARACTERISTICS

■ 6.1 Protection index

Penetration by solid bodies/liquid: IP 20 unassembled
 IP 40 assembled

Impact test: IK 04

■ 6.2 Material characteristics

Material:

- Cover: PC
- Diffuser: PC
- Painted cover, painted head reading light: ABS
- Flexible: steel

Self-extinguishing:

- + 850° C / 30 s for insulating parts holding live parts in place.
- + 650° C / 30 s for other parts made of insulating materials.

Halogen free.

UV resistant.

■ 6.3 Electrical characteristics

Current: 230 VAC

Frequency: 50 Hz

Product tested to 40,000 operations switching ON and OFF.

The LED lighting products ref. 0676 52/54/55, can be controlled by:

- mechanical switches,
- electronic switches with neutral such as automatic switches with neutral 3 wires,
- sensitive switch with neutral,
- controllers My Home,
- My Home radio switches with neutral ...

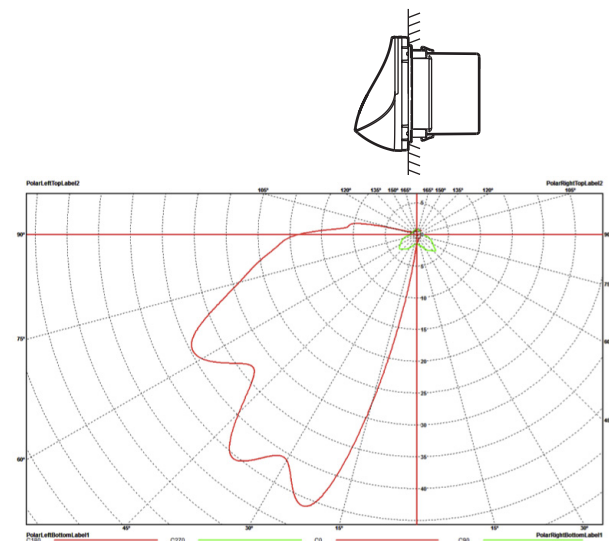
Note: the spot lights cannot be managed by a dimmer switch.

Reading lights have their own controls "ON/OFF/DIMMING" integrated.

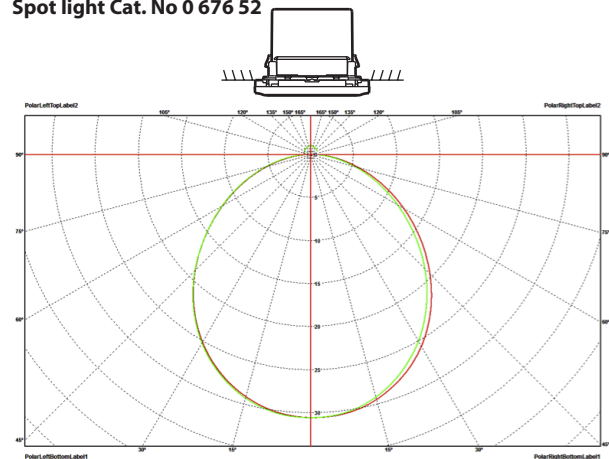
6. TECHNICAL CHARACTERISTICS (continued)

■ 6.4 Photoelectric characteristics

Stair light Cat. No 0 676 54 with cover 0 680 54 or 0 683 54



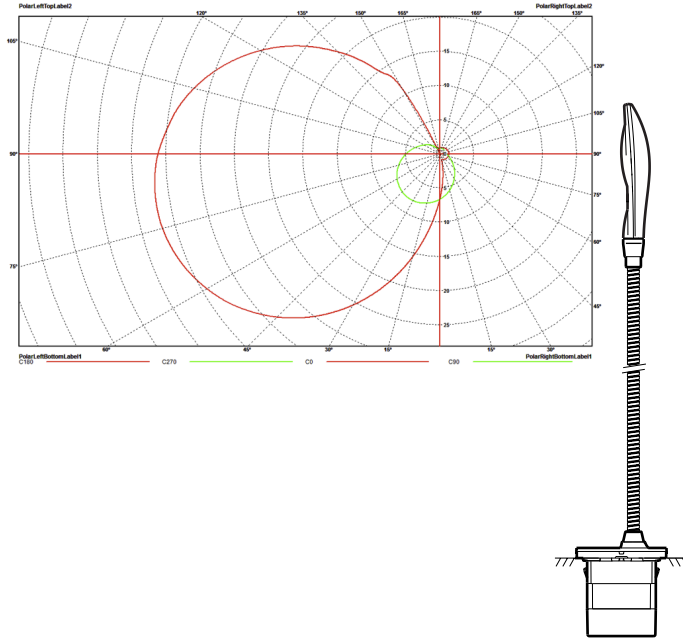
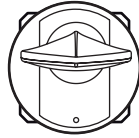
Spot light Cat. No 0 676 52



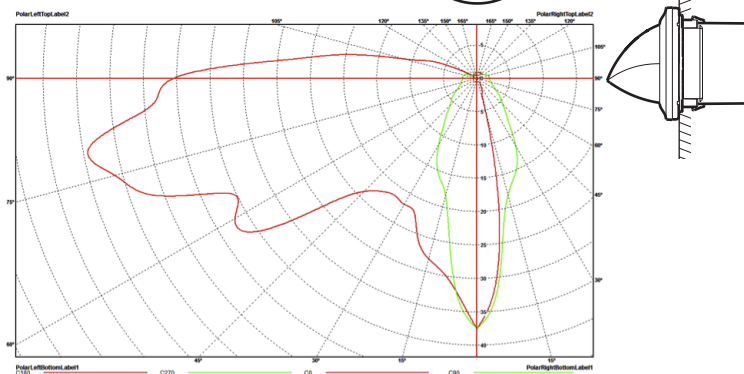
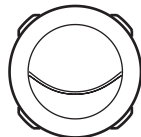
6. TECHNICAL CHARACTERISTICS (continued)

■ 6.4 Photoelectric characteristics

Reading light Cat. No 0 676 50



Directional light Cat. No 0 676 55



■ 6.5 Climatic characteristics

Storage temperature: - 25° C to + 45° C

Use temperature: - 5° C to + 35° C

7. CLEANING

Surface cleaning with a cloth.

Do not use: acetone, tar remover, trichloroethylene.

Caution: A preliminary test should be carried out if other specific cleaning products are to be used.

8. STANDARDS AND APPROVALS

IEC 60598-1

IEC 60598-2-2

IEC 61547

IEC 60669-2-1